

WEIGHTS:

CONC _____

EQUIP _____

METAL _____

TOTAL _____

EQUIPMENT:

MAKE _____

SIZE _____

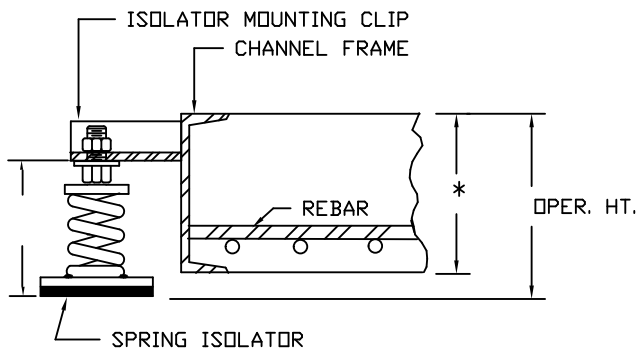
ISOLATION:

MODEL _____

QUANT. _____

DEFL. _____

EFF. _____



* FRAME- ____" ____# CHANNEL
CONCRETE BY CONTRACTOR

CUSTOMER: _____

JOB NO.: _____

DATE: _____ BY: _____

CIFE BASE

SPRING MOUNTED EQUIPT. INERTIA BASE

DYNASONICS
INC. HOUSTON, TEXAS