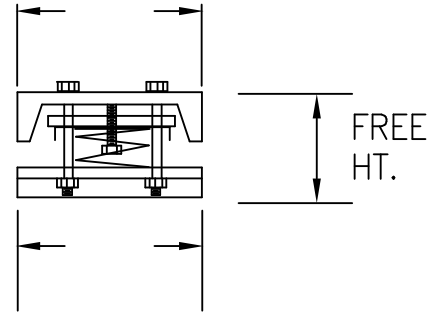
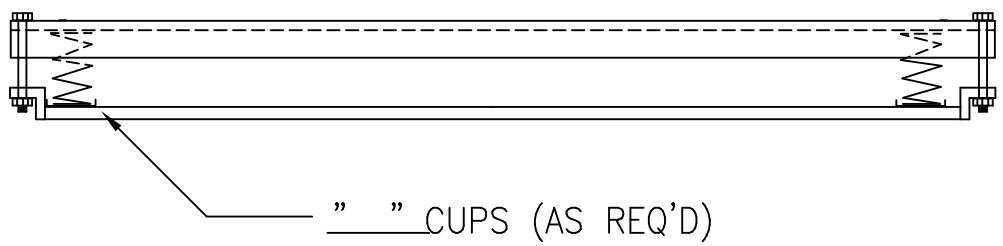


” ” CUPS (AS REQ'D)

OPTIONAL-ADJUSTABLE

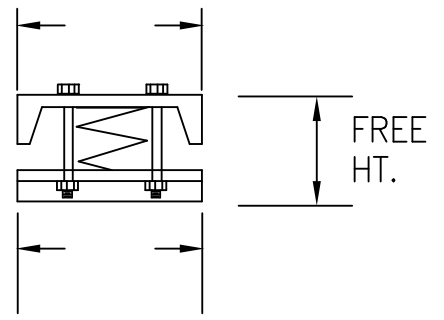


FREE HT.



” ” CUPS (AS REQ'D)

STANDARD NON-ADJUSTABLE



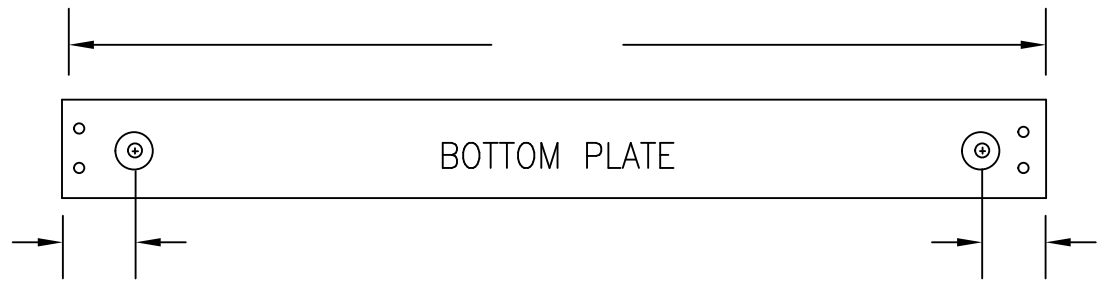
FREE HT.

ISOLATION:

QUANT. _____
 DEFL. _____
 EFF. _____

WEIGHTS:

EQUIP _____
 TOTAL _____



BOTTOM PLATE

RAIL SHOULD BE SHIMMED LEVEL AND GROUTED

PAGE 11

CUSTOMER: _____
 JOB NO.: _____
 DATE: _____ BY: _____

CT
 FLOOR MOUNT SPRING RAILS

DYNASONICS
 INC. HOUSTON, TEXAS

CT-FLR